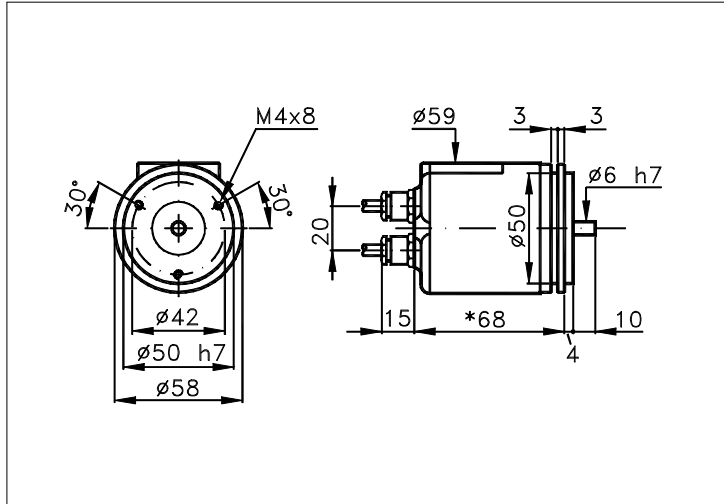


58SY

Sized draw standard version: CV Measures without tolerance according to UNI ISO 2768-mk



\* 86 FOR OUTPUT HH-R.

TECHNICAL FEATURES AND POSSIBLE CONFIGURATIONS

- Base.....: ANODIZED ALUMINIUM (\*)
  - Cover.....: ANODIZED ALUMINIUM (\*)
  - Weight.....: 550 g
  - Shaft.....: Ø 6 STAINLESS STEEL (\*)
  - Max.rad/axial load.: 3 kg
  - IP output side.(°): see 'CONNECTION' of page 2
  - IP shaft side.(°):> std. 64 | sealed 66 | low torq. 53
  - opt. type (page 2):> standard | Z | B
  - Contin. max RPM(\*\*):> 8000 | 3000 | 12000
  - Starting torque gcm> 18 | 30 | 8
  - Ball bearings life...: 1,5 x 10<sup>9</sup> revolutions
  - Impact resistance....: 50 G x 11ms
  - Vibration resistance.: 12 G (10 ÷ 2000 Hz)
  - Power supply.....: 5÷30V (see page 2)
  - Operating temperature: 0 ÷ 70 °C (\*)
  - Storage temperature...: -30 ÷ 85 °C
  - N° of pulses/rev.....: 1 ÷ 3600
  - Max frequency.....: 100 kHz (300 option)
  - Max consumptions mA...: std 120 line driver 180 (\*)
  - Light source.....: LED with >= 100000 h life
- (°) IP according to CEI EN 60529, EN 60529, IEC 529  
(\*) custom options  
(\*\*) intermittent max RPM + 30% of continuous max RPM

ELECTRONICS

CODE	DESCRIPTION	mA	CODE	DESCRIPTION	mA	CODE	DESCRIPTION	mA	CODE	DESCRIPTION	mA
	STANDARD NPN	10	N	DRIVER 26LS31	30						
K	NPN OPEN COLL	10	T	TTL 7404	10						
Q	NPN	70	C	DRIVER 88C30	20						
R	NPN OPEN COLL	70									
P	PNP	70									
U	PNP OPEN COLL	70									
B	PUSH-PULL PRO	70									
H	PUSH-PULL	70									



Tolerance between phases ± 25°, symmetry ± 15°

(S) Clock-wise output rotation (see shaft).