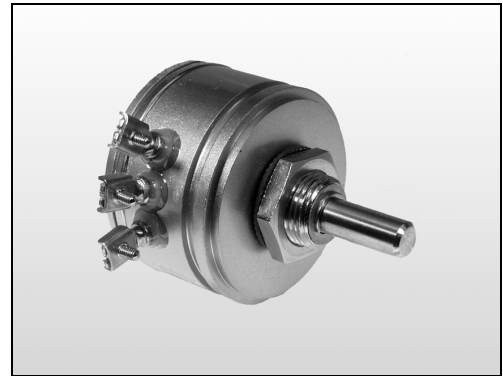


Central fixing M12x1

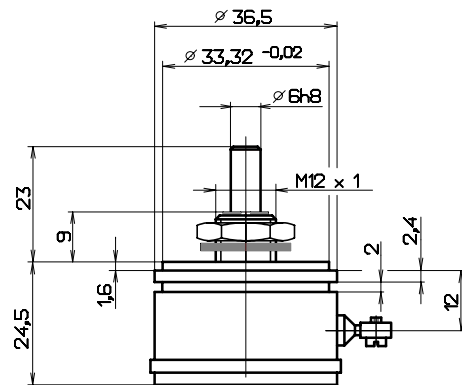
A potentiometer for harsh industrial conditions. The noble metal winding provides the highest protection against environmental conditions. The multiple taper ensures a safe function. Available with soldered connections as an option. Axial loads of 5 kp can be taken up by the shaft on account of the needle bearing. The potentiometer can turn through a full revolution, but can also be provided with stops on request. The potentiometer can be provided with an oil filling optionally. To protect against environmental influences, we offer installation in a protective housing. Different adapter plates for attachment facilitate the installation at the place of use. Shafts with special lengths can be manufactured individually for single units.



51620010

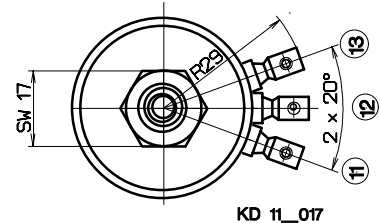
mechanical data

- 1.1 housing..... : aluminium
- 1.2 shaft..... : stainless steel Ø6^{h8}
- 1.3 bearing..... : needle bearing
- 1.4 resistor element..... : noble metal winding
- 1.5 slider tap / wiper tap..... : noble metal, multiple
- 1.6 housing protection class..... : IP 64
- 1.7 type of connection..... : clamp connection
- 1.8 mounted by..... : central fixing M12x1
- 1.9 electrical travel..... : 345°
- 1.10 mechanical travel..... : standard throughrotation
- 1.11 rotation speed..... : max. 60 r/min.
- 1.12 torque..... : 0,3 to 0,4 Ncm
- 1.13 rotation load life..... : 10 x 10⁶ slider travel (360°)



electrical data

- 2.1 resistance values, standard..... : 1, 2, 5, 10 K-Ohm
- 2.2 resistance values, max.possible : 60 K-Ohm
- 2.3 resistance tolerance..... : ± 3%
- 2.4 lowest starting resistance..... : 0,05% of overall resistance
- 2.5 linearity tolerance..... : ± 0,3%
- 2.6 insulation resistance..... : 20 M-Ohm
- 2.7 test voltage..... : 500 V, 50 Hz
- 2.8 operating voltage..... : max. 50 V
- 2.9 power rating..... : max. 2 Watt
- 2.10 slider / wiper load current..... : max. 100 mA
- 2.11 temperature range..... : -50°C till +100°C
- 2.12 temperature coefficient..... : 20 ppm/°C



KD 11_017

options

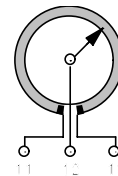
short-circuit left taps
angle of rotation, electrical and mechanical
resistance tolerance: ±1%
linearity: min. 0,1%
shaft: special length, continuous stops (rotation angle max. 345°)
slip coupling
protection IP65
oil filling
torque 0,1 to 0,2 Ncm

accessories

outer housing
adapter plate
bellows coupling
pin coupling
microswitch
rotary knob
scale

other types

multiple version
cable connection
plug connection
integral measuring transducer
0..20 mA or 4..20 mA



terminal plan

point	function
11	resistor element 1
12	slider 1
13	resistor element 1

article #: 114.130104
sheet: KE1122.DOC
updated: 30.04.02
order #: 11015
side: 11 - 01