

Multi - Turn - Potentiometer DMG18 zo

Central fixing 3/8", solder terminal, 3- turn / 5- turn / 10-turn

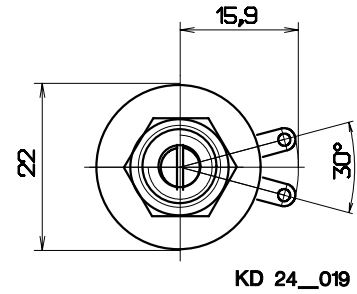
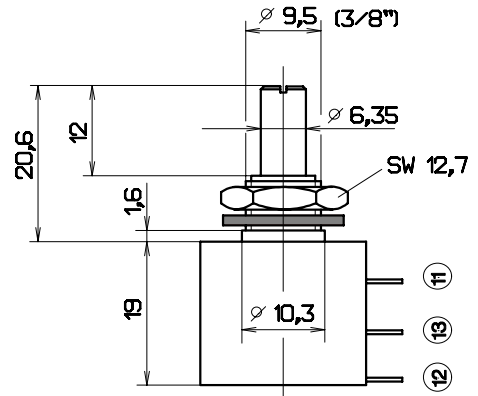
The 3- turn, 5- turn and 10-turn precision potentiometers DMG 18 have got a high resolution, low tolerance wirewound resistorelement. These lowcost multi – turn – potentiometers are mainly made for manual adjustment.

mechanical data

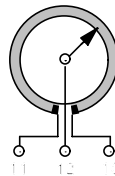
- 1.1 housing.....: reinforced glass fibre plastic
- 1.2 shaft.....: stainless steel $\varnothing 6.3$ mm
- 1.3 bearing.....: sliding bearing
- 1.4 resistor element.....: precision wire
- 1.5 slider tap / wiper tap.....: single tap
- 1.6 housing protection class.....: IP 62
- 1.7 typ of connection.....: solder terminal
- 1.8 mounted by: central fixing 3/8"
- 1.9 rotation speed.....: max. 60 rpm
- 1.10 rotation load life.....: 2×10^6 shaft revolutions

electrical data

- 2.1 resistance tolerance.....: $\pm 5\%$
- 2.2 linearity tolerance.....: $\pm 0,25\%$
- 2.3 insulation resistance: 1000 M-Ohm
- 2.4 test voltage.....: 1000 V
- 2.5 temperature range.....: -25°C bis $+85^{\circ}\text{C}$
- 2.6 temperature coefficient.....: 50 ppm/ $^{\circ}\text{C}$



KD 24_019



terminal plan

| point | function |
|-------|-----------|
| 11 | winding 1 |
| 12 | slider 1 |
| 13 | winding 1 |

| article # | order # | type | mechan. travel / electr. travel | torque | power rating | resistance values |
|--------------|---------|----------|------------------------------------|---------|---------------|--------------------------------|
| 240.02 03 00 | 24110 | DMG18/03 | 1.080° | 0,5 Ncm | max. 1,0 Watt | 50 Ω20 K Ω |
| 240.02 05 00 | 24120 | DMG18/05 | 1.800° | 0,5 Ncm | max. 1,5 Watt | 50 Ω50 K Ω |
| 240.02 10 00 | 24130 | DMG18/10 | 3.600° | 0,5 Ncm | max. 2,0 Watt | 100 Ω100K Ω |

article #: see table
sheet: KE2403.DOC
updated: 30.04.02
order #: see table
side: 24 - 01